



2020/21 PRODUCT CATALOGUE

BUILT

TO MOW THE

DISTANCE

You put your mower through a lot. All that back and forth can add up to thousands of kilometres. That's like going across the country. It's a lot to ask of a mower. Gravely commercial mowers are built for all-day performance. Helping you get the job done season after season and ergonomically designed to keep you comfortable kilometre after kilometre.





SINCE

1916

DEPENDABILITY IS A HABIT

Over one-hundred years of legendary ingenuity and reliability is hard-coded into the DNA of every Gravelly product. Since receiving his first patent in 1916, Ben Gravelly pushed his designs past their breaking point, identifying ways to improve. Today, his tradition of craftsmanship and pride in our products continues, backing each Gravelly machine with high-quality service while shaping the American landscape.

TESTING OUR DESIGNS IS A FULL-TIME JOB



Relentless testing from design to deployment. That's what makes Gravelly commercial equipment stand out from the competition. Product testing begins in a simulated digital environment, but real testing takes place at Sebring International Raceway. The racing mecca's sprawling acreage is where we put every design through several thousand hours of close examination, ensuring our products outperform the standard. This means testing our mowers on a variety of grass and turf found around the globe.

Not every concept makes the cut, but the ones that do deliver performance worthy of the Gravelly name.

PRO-TURN[®]

SERIES



We Mean Business.

The proof is in the performance. Smarter controls, longer run times, lower maintenance, and more comfort. The Gravely Pro-Turn series is raising the standard of professional performance. Experience the difference a century of craftsmanship makes.

PRO-TURN[®] SERIES



COMPACT-PRO[®]



PRO-TURN ZX



PRO-TURN 100



PRO-TURN 200



PRO-TURN 400

ENGINE	KAWASAKI [®] FX	KAWASAKI [®] FX	KAWASAKI [®] FX	KAWASAKI [®] FX	KAWASAKI [®] FX
AIR FILTRATION	HEAVY DUTY AIR CLEANER	HEAVY-DUTY AIR CLEANER	HEAVY-DUTY AIR CLEANER	HEAVY-DUTY AIR CLEANER	HEAVY-DUTY AIR CLEANER
HORSEPOWER	15.5 HP	22 HP - 23.5 HP	22 HP	27 HP	27 HP - 35 HP
DRIVE SYSTEM	HYDRO-GEAR [®] ZT-3100 TRANSAXLES	HYDRO-GEAR [®] ZT-3200 TRANSAXLES	HYDRO-GEAR [®] ZT-3400 TRANSAXLES	HYDRO-GEAR [®] ZT-5400 TRANSAXLES	HYDRO-GEAR [®] ZT-5400 TRANSAXLES
FUEL CAPACITY	27.25 L	18.9 L	37.8 L	50.72 L	50.72 L
GROUND SPEED	11.3 km/h / 4.8 km/h	13.6 km/h / 6.4 km/h	16 km/h / 8 km/h	21 km/h / 9.6 km/h	21 km/h / 9.6 km/h
DECK					
DECK MATERIAL	10 GA. STEEL W/ 10 GA. SPINDLE REINFORCEMENT	10 GA. STEEL W/10 GA. SPINDLE REINFORCEMENT	7 GA. STEEL W/ 1/4 IN. SPINDLE REINFORCEMENT	7 GA. STEEL W/ 1/4 IN. SPINDLE REINFORCEMENT	7 GA. STEEL W/ 1/4 IN. SPINDLE REINFORCEMENT
CUTTING WIDTH	34 IN.	48 IN., 52 IN., 60 IN.	48 IN., 52 IN.	52 IN., 60 IN.	52 IN., 60 IN., 72 IN.
CUTTING HEIGHTS	25 mm - 127 mm	38 mm - 127 mm	38 mm - 140 mm	38 mm - 140 mm	38 mm - 140 mm
WHEELS					
FRONT	SMOOTH 13 X 6.5-6	SMOOTH 13 X 6.5-6	SMOOTH 13 X 6.5-6	SMOOTH 15 X 6-6	SMOOTH 15 X 6-6 SEMI PNEUMATIC
REAR	TURF 21 X 7-10	TURF 22 X 10.5-12 TURF 22 X 12-12	TURF 23 X 10.5-12	TURF 23 X 10.5-12 TURF 24 X 12-12	RADIAL TURF 23 X 10-12 RADIAL TURF 24 X 12-12
FEATURES					
SEAT	HIGH BACK W/ EVC SUSPENSION	HIGH BACK COMFORT W/ INTEGRATED ISOLATION	HIGH BACK W/ FULL SUSPENSION	HIGH BACK W/ FULL SUSPENSION & PADDED ARMRESTS	HIGH BACK AIR RIDE SUSPENSION W/ SEAT ISOLATORS
FUEL GAUGE	STANDARD	N/A	STANDARD	STANDARD	STANDARD
WARRANTY					
UNIT	4 YEAR / 750 HOUR LIMITED COMMERCIAL / NO HOUR LIMIT FIRST 2 YEARS	4 YEAR / 750 HOUR LIMITED COMMERCIAL	5 YEAR / 1000 HOUR COMMERCIAL NO HOUR LIMIT FIRST 2 YEARS	5 YEAR / 1250 HOUR COMMERCIAL NO HOUR LIMIT FIRST 2 YEARS	5 YEAR / 1500 HOUR COMMERCIAL NO HOUR LIMIT FIRST 2 YEARS
DECK SHELL & FRAME	N/A	N/A	LIMITED LIFETIME	LIMITED LIFETIME	LIMITED LIFETIME

PRO-TURN[®] 4000

Performance Without Apology.

The Pro-Turn 400 delivers. With a stronger frame, smarter controls and a smoother ride, it out works, out performs and outlasts the competition.

- LIMITED -
COMMERCIAL

5 YEAR
OR 1800 HOUR
WARRANTY

NO HOUR LIMIT FIRST TWO YEARS

LIMITED LIFETIME DECK SHELL & FRAME

See your professional Gravely[®] dealer for complete warranty details.

MODEL NUMBER	ENGINE	DECK SIZE
992273	27 HP, 852 CC KAWASAKI [®] FX850	52 IN.
992275	35 HP, 999 CC KAWASAKI [®] FX1000V	60 IN.
992276	35 HP, 999 CC KAWASAKI [®] FX1000V	72 IN.



X-Factor[®] II Deck

The 7-gauge, X-Factor[®] II Deck is fabricated from top to bottom, providing industrial-strength peace of mind that's reinforced with an exclusive limited lifetime warranty.



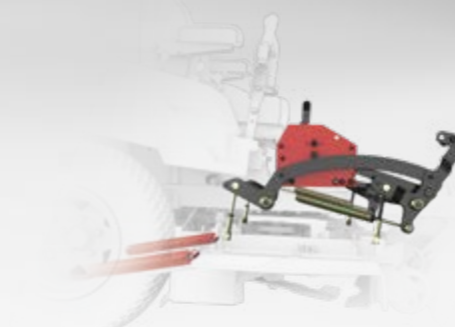
Air-Ride Suspension Seat

The industry's first air-ride suspension system is enhanced with seat isolators to absorb large vertical impacts and designed with an oversized, pillow-top, extra high-back seat for all-day comfort.



CBT System

Our exclusive Constant Belt Tension System (CBT) ensures that belt tension is maintained, keeping the blade tip speed and cutting results consistent.



EZ-Lift Deck System

The EZ-Lift Deck System takes 25% less effort to raise and lower the deck. Also includes 19 cutting positions with 6.35 mm increments.



Steel Chassis

A heavy-duty, 38 mm x 76 mm steel singular tubular frame is fabricated with four engine frame isolation points to reduce cockpit vibration by 45% while lessening operator fatigue.



Radial Tyres

Radial rear tyres come standard, delivering handling, automotive-style performance, and hill holding, while being gentler to the turf.

PRO-TURN[®]

200



Never Cut Expectations.

Smart design and durability are packed into the Pro-Turn 200. Nimble and comfortable, the 200 delivers performance season after season with a full-suspension system and a 7-gauge X-Factor II deck.



NO HOUR LIMIT FIRST TWO YEARS
LIMITED LIFETIME DECK SHELL & FRAME
See your professional Gravelly[®] dealer for complete warranty details.

MODEL NUMBER	ENGINE	DECK SIZE
992268	27 HP, 852 CC KAWASAKI [®] FX850V	52 IN.
992269	27 HP, 852 CC KAWASAKI [®] FX850V	60 IN.



Seating System

A full-suspension seat provides added lateral stability and improved durability with vibration control for all-day comfort.



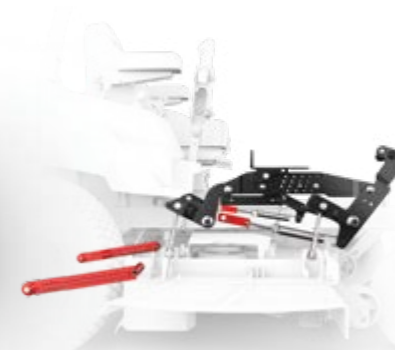
Steel Chassis

A heavy-duty, 38 mm x 76 mm steel, tubular frame is fabricated with four engine frame isolation points to reduce cockpit vibration by 45% while reducing operator fatigue.



X-Factor[®] II Deck

The 7-gauge, X-Factor[®] II Deck is fabricated from top to bottom, providing industrial-strength peace of mind that's reinforced with an exclusive limited lifetime warranty.



Deck Level Design

A simple four-point adjustment uses half the parts, making it quick and easy to adjust and maintain for superior cutting performance.



CBT System

Our exclusive Constant Belt Tension System (CBT) ensures that belt tension is maintained, keeping the blade tip speed and cutting results consistent.

PRO-TURN[®]

1000

Succeed, Don't Settle.

Put your best foot forward with the power and performance of the Pro-Turn 100. Packed with Gravely's time-tested features, this hard-working mower stands up to your toughest jobs.



**- LIMITED -
COMMERCIAL** NO HOUR LIMIT FIRST TWO YEARS
LIMITED LIFETIME DECK SHELL & FRAME
See your professional Gravely[®] dealer for complete warranty details.

MODEL NUMBER	ENGINE	DECK SIZE
991128	22 HP, 726 CC KAWASAKI [®] FX691V	48 IN.
991129	22 HP, 726 CC KAWASAKI [®] FX691V	52 IN.



Rollover Protection System

Foldable Rollover Protection System (ROPS) comes standard on all PT-series mowers.



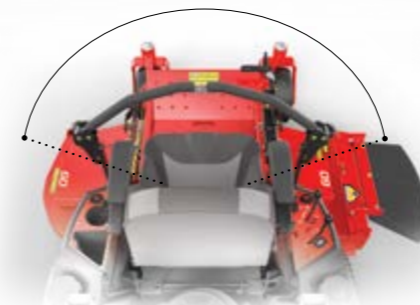
X-Factor[®] II Deck

The 7-gauge, X-Factor[®] II Deck is fabricated from top to bottom, providing industrial-strength peace of mind that's reinforced with an exclusive limited lifetime warranty.



CBT System

Our exclusive Constant Belt Tension System (CBT) ensures that belt tension is maintained, keeping the blade tip speed and cutting results consistent.



Line Of Site

Human-centered design improves the operator experience, providing a clear line of sight to the deck cutting edge.



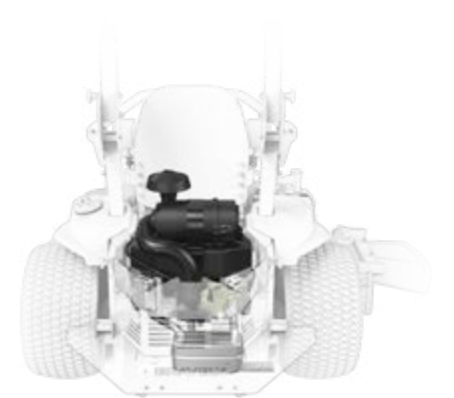
Seating System

A full-suspension seat provides added lateral stability and improved durability with vibration control and a 102 mm seat slide for all-day comfort.

PRO-TURN[®] ZX



MODEL NUMBER	ENGINE	DECK SIZE
991230	22 HP, 726 CC KAWASAKI [®] FX691V	48 IN.
991232	22 HP, 726 CC KAWASAKI [®] FX691V	52 IN.
991234	23.5 HP, 726 CC KAWASAKI [®] FX730V	60 IN.



Put Every Dollar To Work.

This proven performer is built to complete the toughest commercial job while keeping costs in check. And like every Gravely[®] mower, it comes backed by an unbeatable warranty.



See your professional Gravely[®] dealer for complete warranty details.

Rollover Protection Structure

Safety gets simpler with the foldable Rollover Protection Structure (ROPS) that's standard on all Pro-Turn series mowers.

Kawasaki[®] FX Engine

Powerful and easy to maintain, this workhorse has a four-stroke, v-twin design with commercial canister air filtration to ensure maximum power and torque in the toughest conditions.

COMPACT-PRO®



Packed With Performance.

Loaded with state-of-the-art features, the agile Compact-Pro® offers full commercial strength in a smaller frame. These zero-turn mowers deliver performance, power and durability with maximum versatility.



NO HOUR LIMIT
FIRST TWO YEARS

See your professional Gravelly® dealer for complete warranty details.

MODEL NUMBER	ENGINE	DECK SIZE
991144	15.5 HP, 603 CC KAWASAKI® FX	34 IN.



Smaller Footprint

The Compact-Pro easily passes through gates as narrow as 36" and nimbly maneuvers around common residential obstacles.



Fuel Tank Design

Increases stability and improves machine handling and visibility.



Kawasaki Engine

Powered by a Kawasaki FX Engine that touts a heavy-duty canister air cleaner to optimize performance in all conditions and extend engine life.



Exclusive to Gravelly, SideKick brings comfort and accessibility even closer. Designed with you in mind, SideKick allows operators to focus on the task at hand without the distraction of searching for throttle, choke or deck engagement. Combine that with a compact design and the power of a Kawasaki® FX engine, and you've got a mower that fully compliments your arsenal of Gravelly power.





PRO-STANCE®

Thinner Footprint. Fatter Wallet.

We re-engineered the Pro-Stance® for maneuverability and versatility so you can take on hills with confidence. With redistributed weight and lowered center of gravity, the Pro-Stance offers adaptability with a range of deck sizes. So whether you're mowing a corporate campus or gated backyards, the redesigned Pro-Stance maximises your investment.



NO HOUR LIMIT FIRST TWO YEARS

LIMITED LIFETIME DECK SHELL & FRAME

See your professional Gravely® dealer for complete warranty details.

MODEL NUMBER	ENGINE	DECK SIZE
994157	18.5 HP, 603 CC KAWASAKI® FS600 V-TWIN	32 IN.
994149	18.5 HP, 603 CC KAWASAKI® FS600 V-TWIN	36 IN.
994150	23.5 HP, 726 CC KAWASAKI® FX691 V-TWIN	48 IN.



Height-Of-Cut System

Less deck-lifting force, a thumb-release and vertical-pin system add ease to cutting height adjustments.



Tyres

Each Pro-Stance is equipped with semi-pneumatic tyres up front and radial, Superior Traction Technology (SST) tyres in the rear.



32 IN. Deck

The advantage of a stand-on mower enters smaller yards with a 32-inch deck.



Adjustable Cruise Bar

Allows the operator to limit and expand the unit's maximum speed in tight working environments.



ZT[®]
SERIES



Accept Nothing Less Than Zero.

Razor-sharp turns and a smooth-as-silk ride put Gravely's ZT series in a class by itself. Built to deliver like it's commercial big brothers, the easy-to-use ZT series packs the power to handle the toughest jobs day after day, year after year. Don't settle. Put the confidence of Gravely in your garage.

Z



ZT

T



ZT X

SERIES



ZT XL



ZT HD

ENGINE	KOHLER® 6600 SERIES	KAWASAKI® FR KOHLER® 7000 SERIES	KAWASAKI® FR KOHLER® 7000 SERIES W/ SMART CHOKE™ AND HD FILTRATION	KAWASAKI® FR W/ SMART CHOKE™ AND HD FILTRATION
HORSEPOWER	19 HP	22 HP - 23 HP	23 HP - 24 HP	21.5 HP - 24 HP
DRIVE SYSTEM	HYDRO-GEAR® EZT TRANSAXLES	HYDRO-GEAR® EZT TRANSAXLES	HYDRO-GEAR® ZT-2800 TRANSAXLES	HYDRO-GEAR® ZT-3100 TRANSAXLES
FUEL CAPACITY	7.57 L	10.59 L	10.59 L	18.9 L
GROUND SPEED	9.7 km/h / 4.8 km/h	11.3 km/h / 4.8 km/h	12 km/h / 4.8 km/h	12.9 km/h / 6.4 km/h
DECK				
DECK MATERIAL	12 GA.	11 GA.	11 GA.	10 GA.
CUTTING WIDTH	34 IN., 42 IN.	42 IN., 52 IN.	42 IN., 52 IN.	44 IN., 48 IN., 52 IN., 60 IN.
CUTTING HEIGHTS	38 mm - 114 mm	38 mm - 114 mm	38 mm - 114 mm	38 mm - 127 mm
WHEELS				
FRONT	11 IN. X 4 - 5 IN.	11 IN. X 6 IN.	11 IN. X 6 - 5 IN.	13 IN. X 6.5 - 6 IN.
REAR	18 IN. X 6.5 - 8 IN. 18 IN. X 8.5 - 8 IN.	20 IN. X 8 IN.	20 IN. X 10 IN.	22 IN. X 10 - 12 IN. 22 IN. X 10.5 - 12 IN. 22 IN. X 12 - 12 IN.
FEATURES				
SEAT	LOW BACK HIGH BACK	HIGH BACK COMFORT W/ ARM RESTS	HIGH BACK COMFORT W/ PADDED ARM RESTS	HIGH BACK COMFORT W/ LEVER ADJUST, ARM RESTS
WARRANTY				
UNIT	3 YEAR LIMITED RESIDENTIAL	3 YEARS / 300 HOURS	4 YEARS / 400 HOURS	4 YEARS / 500 HOURS
DECK SHELL & FRAME	5 YEAR LIMITED DECK SHELL & FRAME	N/A	N/A	N/A



ZT HD

Erase Any Doubt.

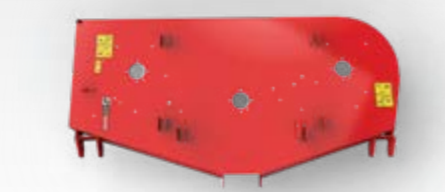
The ZT HD from Gravely elevates expectations of style, comfort, speed and precision. Built to commercial standards for power and durability, the only thing that makes this a residential mower is that it lives at your house.



MODEL NUMBER	DESCRIPTION	DECK SIZE
991160	21.5 HP, 726 CC KAWASAKI® FR V-TWIN	44 IN.
991162	23 HP, 726 CC KAWASAKI® FR V-TWIN	48 IN.
991164	23 HP, 726 CC KAWASAKI® FR V-TWIN	52 IN.
991166	24 HP, 726 CC KAWASAKI® FR V-TWIN	60 IN.



Cut Selection
Effortlessly push the deck lift pedal forward, insert the pin into your desired cutting height and release the pedal.



10-Gauge Fabricated Deck
The 140 mm deep deck delivers superior airflow to handle difficult mowing conditions and includes a reinforced leading edge.



Fully Welded Tubular Frame
Unlike the competitive c-channel frames, this fully-welded, steel tubular frame provides superior rigidity and strength.



Hydro-Gear® ZT-3100 Transmissions
Switch gears from ordinary performance with a commercial-grade, high-efficiency transmission that delivers responsive control and increased torque.



High-Back Seat
A plush, high-back seat with armrests ensures upgraded comfort for longer mowing sessions.

ZT XL

Mow With Authority.

Built for big jobs, the ZT XL has been redesigned with vibration isolators and a high-back seat to combine professional cut quality with all-day comfort. Out-manoeuvre any obstacle with more deck sizes to meet your demands.



MODEL NUMBER	DESCRIPTION	DECK SIZE
915259	24 HP, 725 CC KOHLER® 7000 V-TWIN WITH SMART-CHOKE™ AND HD FILTRATION	42 IN.
915263	23 HP, 726 CC KAWASAKI® FR V-TWIN	52 IN.



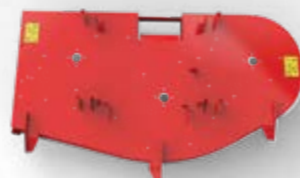
Fully Welded Tubular Frame

This fully welded tubular frame is a professional-grade backbone tough enough to get the job done in your back yard.



Hydro-Gear® Transmission

The Hydro-Gear ZT-2800 transmission provides increased torque, a smoother ride and longer life.



11-Gauge Fabricated Deck

Our 114 mm deep fabricated deck features an optimized airflow design to produce best in class cut quality and discharge performance.



Handling

Roll right by the competition with 20 inch drive tyres and 11 x 6-inch front caster wheels designed to provide better traction, control and handling.



Power

Kawasaki® engines give durability, dependability and professional-grade power. The Kohler® 7000 Series™ engines with Smart Choke™ technology are ready to run as soon as you turn the key.



Seating Comfort

This plush, high-back seat with seat isolation along with cut and sewn armrests ensures upgraded comfort for longer mowing sessions.



ZT X

Battle Backyard Challenges Like A Pro.

Redesigned for comfort and style, the ZT X combines zero-turn efficiency with legendary Gravely performance. Mow with professional-level precision and control.



MODEL NUMBER	DESCRIPTION	DECK SIZE
915255	22 HP, 725 CC KOHLER® 7000 SERIES V-TWIN	42 IN.
915257	23 HP, 726 CC KAWASAKI® V-TWIN	52 IN.



Power

Kawasaki® engines provide professional-grade power, durability and dependability. The Kohler® 7000 Series™ engines are ready to run as soon as you turn the key.



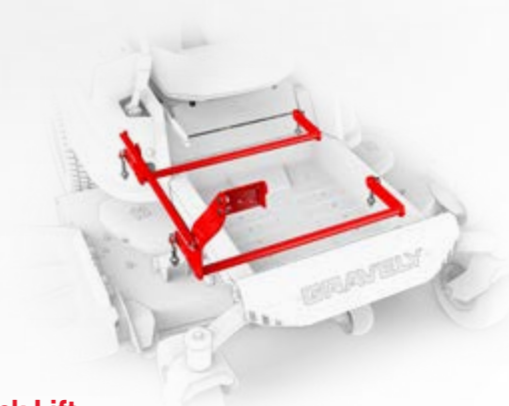
Cut Selection

We cut out the pins and levers to offer a simple and intuitive cutting selection solution. Press the pedal to raise the deck and turn the dial.



11-Gauge Fabricated Deck

Our 114 mm deep fabricated deck features an optimized airflow design to produce best in class cut quality and discharge performance.



Deck Lift

The deck lift features a four-point hanging system for deck stability and even cutting performance.



Seating Comfort

This plush, high-back seat with armrests ensures upgraded comfort for longer mowing sessions.

ZT

Do More Than Your Fair Share.

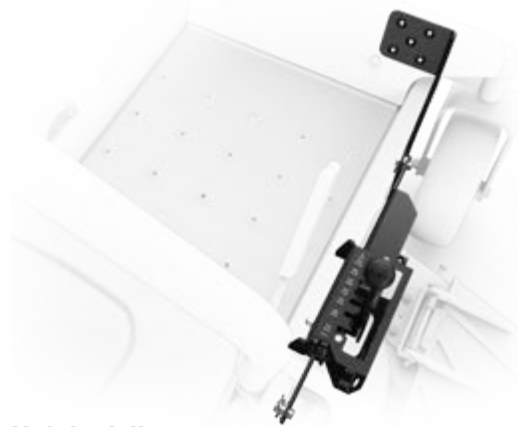
With a 34-inch or 42-inch deck size option, no other model in its class measures up to the ZT. With size, power and performance you can tackle the largest jobs without skipping a beat. When there's work to be done, depend on a century of Gravely experience.

- LIMITED - RESIDENTIAL
3 YEAR WARRANTY

NO HOUR LIMIT
 FIVE YEAR DECK SHELL & FRAME

See your professional Gravely® dealer for complete warranty details.

MODEL NUMBER	DESCRIPTION	DECK SIZE
915244	19 HP, 660 CC KOHLER® 6600 V-TWIN	34 IN.
915246	19 HP, 725 CC KOHLER® 6600 V-TWIN	42 IN.



Height Adjustment

The effortless and intuitive foot-operated deck lift makes it easy to adjust between seven cutting heights, from 38 mm to 114 mm.



Seating Comfort

A high-back seat, available on the 42-inch model, delivers a comfortable cutting experience.



Flip-Out Controls

The ZT features flip-out controls to provide easy access to and from the operating position.



Deck Lift System

The four-point deck lift system provides superior deck stability for maximum comfort and cut quality.

SWEAT THE DETAILS

Get that much more out of your day with additional tools and accessories straight from the factory. Meticulously engineered to fit seamlessly with your machine, these accessories shave time off your schedule and help lighten the load. **When it's your mower, there are no little things.**



Bagger Systems

Gravelly's mesh bags provide superior airflow and venting.

2 and 3 bucket options.

(See individual models for bagger options available).

Mulch Kit

Separate cutting chambers for each blade produce smaller clippings for a professionally manicured appearance.



Sunshade

Cut all day in comfort while staying cool and protected from the sun.

Powered Deck Lift

Powered lift kits make cutting height adjustments smooth and simple.

(Pro-Turn 400 only).



Hitch Kit

Add a hitch kit to enjoy unmatched versatility with a variety of tow-behind options.

Light Kit

The LED headlight kit will light your way and keep you cutting long after others call it a day.



PRO-TURN® 400 SERIES

The Pro-Turn 400 delivers. With a stronger frame, smarter controls and a smoother ride, it out works, out performs and outlasts the competition.



X-FACTOR® II DECK is fabricated from top to bottom, providing industrial strength peace of mind.

MAINTENANCE FREE SPINDLES with forged aluminum housings for lasting durability.

FLIP UP SIDE DISCHARGE CHUTE reduces damage to the surrounding environment.

FOOT OPERATED DECK LIFT SYSTEM provides effortless adjustments between 19 cutting positions in 6.35 mm increments.

CONSTANT BELT TENSION SYSTEM (CBT) ensures the belt tension is constant, blade speed is consistent and cutting results are right on the money.

AIR RIDE SUSPENSION SEAT Industry's first air ride suspension with seat isolators to absorb large vertical impacts and an oversized, pillow top, extra high back seat for all day cruising comfort.

FOLDABLE ROPS comes standard to provide extra protection for the operator.

UPDATED DESIGN improves the line of sight for the operator to easily see the deck cutting edge.



NO HOUR LIMIT FIRST TWO YEARS
LIMITED LIFETIME DECK SHELL & FRAME

See your professional Gravely® dealer for complete warranty details.



PRODUCT NAME	PRO-TURN 452	PRO-TURN 460	PRO-TURN 472
MODEL #	992273	992275	992276
ENGINE	Kawasaki® FX850	Kawasaki® FX1000V	Kawasaki® FX1000V
		Air cooled	
		Heavy-Duty Air Cleaner	
HORSEPOWER	27 hp	35 hp	35 hp
DISPLACEMENT	852 cc	999 cc	999 cc
DRIVE SYSTEM		Hydro-Gear® ZT-5400 Integrated Pump/Motor	
FUEL CAPACITY		50.72 L	
GROUND SPEED (APPROX. KPH) (FWD/REV)		21 km/h / 9.6 km/h	
DECK MATERIAL		7 ga. steel w/ .25 inch spindle reinforcement	
DECK CONSTRUCTION		Welded	
NUMBER OF SPINDLES		3	
BLADE TIP SPEED (FPM)	18,348	18,633	18,229
SPINDLE MATERIAL		Forged Aluminum	
SPINDLE BEARINGS		Ball Bearing	
DECK ENGAGEMENT		Ogura® GT3.5 Electric Clutch	
CUTTING WIDTH	52 in	60 in	72 in
CUTTING HEIGHTS		25 mm - 140 mm	
CUTTING POSITIONS		19	
WHEELS FRONT AXLE		Fixed. Greaseable Caster Fork Tubes	
WHEELS (FRONT)		Smooth 15 x 6 in - 6 in Semi Pneumatic	
WHEELS (BACK)	Radial Turf 23 x 10 in - 12 in	Radial Turf 23 x 10 in - 12 in	Radial Turf 24 x 12 in - 12 in
SEAT		High Back w/ Full Air Ride Suspension and Seat Isolators	
ROPS		Foldable	
WEIGHT	601.5 kg	616 kg	659 kg
LENGTH	203 cm	203 cm	208 cm
WIDTH W/ CHUTE	171.5 cm	190.5 cm	221 cm
WIDTH W/O CHUTE	141 cm	160 cm	190.5 cm
HEIGHT W/ ROPS		178 cm	
HEIGHT W/ ROPS FOLDED DOWN		121 cm	
WARRANTY (UNIT)		5 Year / 1500 Hour Commercial / No Hour Limit First Two Years	
WARRANTY (DECK SHELL & FRAME)		Limited Lifetime	
ATTACHMENTS & ACCESSORIES	MULCHING KIT, DISCHARGE COVER KIT, HUB CAP KIT, FLEXTEND SHOULDER SUPPORT KIT, TRAILER HITCH KIT, HEADLIGHT KIT, SUN SHADE KIT, 3 BUCKET BAGGER (12BU.)		

PRO-TURN® 200 SERIES

Smart design and durability are packed into the Pro-Turn 200. Nimble and comfortable, the 200 delivers performance season after season with a full-suspension system and a 7-gauge X-Factor II deck.



X-FACTOR® II DECK is fabricated from top to bottom, providing industrial strength peace of mind.

MAINTENANCE FREE SPINDLES with forged aluminum housings for lasting durability.

FLIP UP SIDE DISCHARGE CHUTE reduces damage to the surrounding environment.

FOOT OPERATED DECK LIFT SYSTEM provide effortless adjustments between 17 cutting positions in 6.35 mm increments.

CONSTANT BELT TENSION SYSTEM (CBT) ensures the belt tension is constant, blade speed is consistent and cutting results are right on the money.

FULL SUSPENSION SEAT 200 series seat with integral suspension for added lateral stability and improved durability, plus added vibration control and a 100 mm seat slide for all day cruising comfort.

FOLDABLE ROPS comes standard to provide extra protection for the operator.

UPDATED DESIGN Improves the line of sight for the operator to easily see the deck cutting edge.



NO HOUR LIMIT FIRST TWO YEARS
LIMITED LIFETIME DECK SHELL & FRAME

See your professional Gravely® dealer for complete warranty details.



PRODUCT NAME	PRO-TURN 252	PRO-TURN 260
MODEL #	992268	992269
	Kawasaki® FX850V	Kawasaki® FX850V
ENGINE	Air cooled Vertical Twin	
	Heavy-Duty Air Cleaner	
HORSEPOWER	27 hp	27 hp
DISPLACEMENT	852 cc	852 cc
DRIVE SYSTEM	Hydro-Gear® ZT-5400 Integrated pump/motor	
FUEL CAPACITY	50.72 L	
GROUND SPEED (APPROX. KPH) (FWD/REV)	21 km/h / 9.6 km/h	
STARTER	Electric	
DECK MATERIAL	7 ga. steel w/ .25 spindle reinforcement	
DECK CONSTRUCTION	Welded	
NUMBER OF SPINDLES	3	
BLADE TIP SPEED (FPM)	18,348	18,633
SPINDLE MATERIAL	Forged Aluminum	
SPINDLE BEARINGS	Ball Bearing	
DECK DRIVE	V-Belt	
DECK ENGAGEMENT	Electric Clutch Ogura® GT3.5	
DECK LIFT SYSTEM	Foot Operated	
CUTTING WIDTH	52 in	60 in
CUTTING HEIGHTS	38 mm - 140 mm	
CUTTING POSITIONS	17	
WHEELS FRONT AXLE	Fixed. Greaseable Caster Fork Tubes	
WHEELS (FRONT)	Smooth 15 x 6 in - 6 in w/ Greaseable Tapered Roller Bearings	
WHEELS (BACK)	Turf 23 x 10.5 in - 12 in	Turf 24 x 12 in - 12 in
SEAT	High Back Comfort w/ Full Suspension & Padded Armrests	
HOUR METER	Standard	
ROPS	Foldable	
WEIGHT	590.5 kg	606 kg
LENGTH	203 cm	203 cm
WIDTH W/ CHUTE	171.5 cm	190.5 cm
WIDTH W/O CHUTE	141 cm	160 cm
HEIGHT W/ ROPS	178 cm	
HEIGHT W/ ROPS FOLDED DOWN	121 cm	
WARRANTY (UNIT)	5 Year / 1250 Hour Commercial / No Hour Limit First Two Years	
WARRANTY (DECK SHELL & FRAME)	Limited Lifetime	
ATTACHMENTS & ACCESSORIES	3 BUCKET BAGGER (12 BU.), SEAT ISOLATOR KIT, RADIAL DRIVE TYRES, SUN SHADE KIT, OPERATOR CONTROLLED DISCHARGE CHUTE, SEMI PNEUMATIC FRONT TYRE KIT AND HEADLIGHT KIT	

PRO-TURN® 100 SERIES

Put your best foot forward with the power and performance of the Pro-Turn 100. Packed with Gravely's time-tested features, this hard-working mower stands up to your toughest jobs.



X-FACTOR® II DECK The 7 gauge, all steel welded X-Factor® II Deck is fabricated from top to bottom, providing industrial strength peace of mind that's reinforced with an exclusive limited lifetime warranty.

CBT SYSTEM our exclusive Constant Belt Tension System (CBT) ensures that belt tension is constant, keeping the blade tip speed and cutting results consistent.

ROPS foldable ROPS comes standard to provide additional protection for the operator.

INSIGHTFUL DESIGN an updated design improves the operator experience, providing a clear line of sight to the deck cutting edge.

SEATING SYSTEM the high back suspension seats provide improved lateral stability with added vibration control and a 100 mm seat slide for all day comfort.



NO HOUR LIMIT FIRST TWO YEARS
LIMITED LIFETIME DECK SHELL & FRAME

See your professional Gravely® dealer
for complete warranty details.



PRODUCT NAME	PRO-TURN 148	PRO-TURN 152
MODEL #	991128	991129
ENGINE	Kawasaki® FX691V, Air cooled, Heavy-Duty Air Cleaner	
HORSEPOWER	22 hp	
DISPLACEMENT	726 cc	
DRIVE SYSTEM	Hydro-Gear® ZT-3400	
FUEL CAPACITY	37.8 L	
GROUND SPEED (APPROX. KPH) (FWD/REV)	16 km/h / 8 km/h	
STARTER	Electric	
DECK MATERIAL	7 ga. steel w/ .25" Spindle Reinforcement	
DECK CONSTRUCTION	Fabricated	
NUMBER OF SPINDLES	3	
BLADE TIP SPEED (FPM)	18,000	
SPINDLE MATERIAL	Forged Aluminum	
SPINDLE BEARINGS	Ball Bearing	
DECK ENGAGEMENT	Electric Clutch Ogura® GT2.75	
DECK LIFT SYSTEM	Adj Foot Operated	
CUTTING WIDTH	48 in	52 in
CUTTING HEIGHTS	38 mm - 140 mm	
CUTTING POSITIONS	17	
WHEELS FRONT AXLE	Fixed. Greaseable Caster Fork Tubes	
WHEELS (FRONT)	Smooth 13 in x 6.50 in - 6 in Pnuematic w/ Greaseable Tapered Roller Bearings	
WHEELS (BACK)	Turf 23 in x 10.5 in - 12 in	
SEAT	High Back Comfort w/ Full Suspension	
HOUR METER	Standard	
ROPS	Foldable	
WEIGHT	482 kg	489 kg
LENGTH	200 cm	
WIDTH W/ CHUTE	157.5 cm	171.5 cm
WIDTH W/O CHUTE	127 cm	141 cm
HEIGHT W/ ROPS	180 cm	
HEIGHT W/ ROPS FOLDED DOWN	122 cm	
WARRANTY (UNIT)	5 Year / 1000 Hour Commercial / No Hour Limit First Two Years	
WARRANTY (DECK SHELL & FRAME)	Limited Lifetime	
ATTACHMENTS & ACCESSORIES	MULCHING KIT, DISCHARGE COVER KIT, HUB CAP KIT, SOLID TYRE KIT, TRAILER HITCH KIT, HEADLIGHT KIT, SUN SHADE KIT, 2 BUCKET POWERED BAGGER KIT (8 BU.)	

PRO-TURN® ZX

This proven performer is built to complete the toughest commercial job while keeping costs in check. And like every Gravely® mower, it comes backed by an unbeatable warranty.



A KAWASAKI® FX ENGINE powerful and easy to maintain, this workhorse has a four-stroke, v-twin design with commercial canister air filtration to ensure maximum power and torque even in the toughest conditions.

TRANSMISSION built to perform season after season, the commercial grade, high efficiency transmission delivers responsive control.

ROPS safety gets simpler with the foldable Rollover Protection System (ROPS) that's standard on all PT-Series mowers.

SEAT ISOLATION make all day mowing sessions more comfortable with a plush, high back seat designed with vibration isolation.

WARRANTY Gravely delivers performance and backs it up with a full four year/ 750-hour commercial grade warranty.



PRODUCT NAME	PRO-TURN ZX 48	PRO-TURN ZX 52	PRO-TURN ZX 60
MODEL #	991230	991232	991234
ENGINE	Kawasaki® FX691V Air Cooled, Vertical Twin	Kawasaki® FX691V Air Cooled, Vertical Twin	Kawasaki® FX730V Air Cooled, Vertical Twin
HORSEPOWER	22 hp	22 hp	23.5 hp
DISPLACEMENT	726 cc	726 cc	726 cc
DRIVE SYSTEM	Hydro-Gear® ZT-3200 Transaxles		
FUEL CAPACITY	18.9 L		
GROUND SPEED (APPROX. KPH) (FWD/REV)	13.6 km/h / 6.4 km/h		
STARTER	Electric		
DECK MATERIAL	10 ga. steel w/10 ga. Spindle Reinforcement		
DECK CONSTRUCTION	Fabricated		
NUMBER OF SPINDLES	3		
BLADE TIP SPEED (FPM)	17,500		
SPINDLE MATERIAL	Forged Aluminum		
SPINDLE BEARINGS	Ball Bearing		
DECK DRIVE	V-Belt		
DECK ENGAGEMENT	Electric Ogura® GT1.5		
DECK LIFT SYSTEM	Adj Foot Operated		
CUTTING WIDTH	48 in	52 in	60 in
CUTTING HEIGHTS	38 mm - 125 mm		
CUTTING POSITIONS	15		
WHEELS FRONT AXLE	Fixed		
WHEELS (FRONT)	Smooth 13 in x 6.5 in - 6 in		
WHEELS (BACK)	Turf 22 in x 10.5 in - 12 in	Turf 22 in x 10.5 in - 12 in	Turf 22 in x 12 in - 12 in
SEAT	High Back Comfort w/ Integrated Isolation		
VIBRATION ISOLATORS	Standard		
OUR METER	Standard		
ROPS	Foldable		
WEIGHT	419 kg	422.5 kg	432.5 kg
LENGTH	206 cm		
WIDTH W/CHUTE	160 cm	170 cm	190.5 cm
WIDTH W/O CHUTE	127 cm	139.5 cm	160 cm
HEIGHT W/ROPS	184 cm		
HEIGHT W/ ROPS FOLDED DOWN	124.5 cm		
WARRANTY (UNIT)	4 Year Commercial / 750 Hour Limited		
ATTACHMENTS	2 BUCKET POWERED BAGGER, MULCHING KIT, DISCHARGE COVER KIT, TRAILER HITCH KIT, HEADLIGHT KIT, SUN SHADE KIT, SUSPENSION SEAT KIT, OPERATOR CONTROLLED DISCHARGE CHUTE		

COMPACT-PRO®

Loaded with state-of-the-art features, the agile Compact-Pro® offers full commercial strength in a smaller frame. These zero-turn mowers deliver performance, power and durability with maximum versatility.



SIDEKICK provides easy access to throttle, ignition, choke, and PTO switch.

COMPACT DESIGN the Compact-Pro easily passes through gates as narrow as 36 inches and nimbly maneuvers around common residential obstacles.

FUEL TANK DESIGN increases stability and improves machine handling and visibility.

TRANSMISSION built to perform season after season, the commercial-grade high-efficiency transmission design delivers responsive control and increased torque.

NO HOUR LIMIT FIRST TWO YEARS

See your professional Gravelly® dealer for complete warranty details.



PRODUCT NAME	COMPACT-PRO 34
MODEL #	991144
ENGINE	Kawasaki® 481V FX, Heavy Duty Air Cleaner
HORSEPOWER	15.5 hp
DISPLACEMENT	603 cc
DRIVE SYSTEM	Hydro-Gear® ZT-3100 Transaxle
FUEL CAPACITY	27.25 L
GROUND SPEED (APPROX. MPH) (FWD/REV)	11.3 km/h / 4.8 km/h
STARTER	Electric
DECK MATERIAL	10 ga. Steel with 10 ga. Spindle Reinforcement
DECK CONSTRUCTION	Fabricated
NUMBER OF SPINDLES	2
BLADE TIP SPEED (FPM)	17,270
SPINDLE HOUSING MATERIAL	Forged Aluminum
SPINDLE BEARINGS	Ball Bearing
DECK ENGAGEMENT	Electric Ogura® GT1A
DECK LIFT SYSTEM	Foot Operated
CUTTING WIDTH	34 in
CUTTING HEIGHTS	25 mm - 127 mm
CUTTING POSITIONS	17
WHEELS FRONT AXLE	Fixed
WHEELS (FRONT)	Smooth 13 in x 5 in - 6 in
WHEELS (BACK)	21 x 7 in - 10 in Turf
SEAT	High Back with Evc Suspension
FOLDABLE ROPS	Optional
WEIGHT	334 kg
LENGTH	190.5 cm
WIDTH W CHUTE	123 cm
WIDTH W/O CHUTE	91 cm
WARRANTY	4 Year / 750 Hour Commercial / No Hour Limit First Two Years
ATTACHMENTS & ACCESSORIES	MULCHING KIT, DISCHARGE COVER KIT, HUB CAP KIT, FLEXTEND SHOULDER SUPPORT KIT, SOLID TYRE KIT, TRAILER HITCH KIT, HEADLIGHT KIT, PLUSH ARMREST KIT, SUNSHADE KIT, CATCHER KIT

PRO-STANCE® SERIES

We re-engineered the Pro-Stance® for maneuverability and versatility so you can take on hills with confidence. With redistributed weight and lowered center of gravity, the Pro-Stance offers adaptability with a range of deck sizes. So whether you're mowing a corporate campus or gated backyards, the redesigned Pro-Stance maximises your investment.



ADJUSTABLE CRUISE BAR allows the operator to limit and expand the unit's maximum speed in tight working environments.

ADDED EFFICIENCY reduced complexity gives users freedom to make critical adjustments in just minutes.

LOWERED CENTRE OF GRAVITY reshaped geometry and redistributed weight provides increased hillside stability and confidence in your ride.

HEIGHT-OF-CUT SYSTEM less deck-lifting force, a thumb release and vertical pin system add ease to cutting height adjustments.

32-INCH DECK the advantage of a stand-on mower enters smaller yards with a 32-inch deck.



NO HOUR LIMIT FIRST TWO YEARS
LIMITED LIFETIME DECK SHELL & FRAME

See your professional Gravely® dealer
for complete warranty details.



PRODUCT NAME	PRO-STANCE 32FL	PRO-STANCE 36FL	PRO-STANCE 48FL
MODEL #	994157	994149	994150
ENGINE	Kawasaki® FS 600 V-Twin	Kawasaki® FS 600 V-Twin	Kawasaki® FX 730 V-Twin
HORSEPOWER	18.5 hp	18.5 hp	23.5 hp
DISPLACEMENT	603 cc	603 cc	726 cc
DRIVE SYSTEM	Hydro-Gear® ZT-3100		Hydro-Gear® ZT-3400
FUEL CAPACITY	22.7 L		34.01 L
GROUND SPEED (APPROX. KPH) (FWD/REV)	12.9 km/h / 4.8 km/h		14.5 km/h / 6.4 km/h
STARTER	Electric		
DECK MATERIAL	7 ga. Steel		
DECK CONSTRUCTION	Welded		
NUMBER OF SPINDLES	2		3
BLADE TIP SPEED (FPM)	18,220		18,000
SPINDLE MATERIAL	Forged Aluminum		
SPINDLE BEARINGS	Ball Bearing		
DECK DRIVE	Belt		
CUTTING WIDTH	32 in	36 in	48 in
CUTTING HEIGHTS	38 mm - 127 mm		
CUTTING POSITIONS	15		
WHEELS (FRONT)	11 in x 4.00 in - 5 in Semi-Pneumatic		13 in x 6.50 in - 6 in Semi-Pneumatic
WHEELS (BACK)	18 in x 8.5 in - 8 in Radial		20 in x 10.5 in - 8 in Radial
HOUR METER	Standard		
WEIGHT	340.2 kg	355.5 kg	451.5 kg
LENGTH	160 cm		
HEIGHT	122 cm		128.3 cm
WIDTH W/ CHUTE	113 cm	124.5 cm	158 cm
WIDTH W/O CHUTE	83.8 cm	92.7 cm	127 cm
WARRANTY (UNIT)	5 Year Commercial / 1000 Hour / No Hour Limit First Two Years		
WARRANTY (DECK SHELL & FRAME)	Limited Lifetime		
ATTACHMENTS & ACCESSORIES	MULCHING KIT, OPERATOR CONTROLLED DISCHARGE BAFFLE, GRASS COLLECTOR		

ZT HD SERIES

The ZT HD from Gravelly elevates expectations of style, comfort, speed and precision. Built to commercial standards for power and durability, the only thing that makes this a residential mower is that it lives at your house.



COMMERCIAL GRADE DNA designed with Commercial features and DNA for the homeowner to take advantage of.

INDUSTRY LEADING FRAME DESIGN large formed tubular frame rails serve as the backbone to support the loads of the machine.

10-GAUGE WELDED DECK design that's 140 mm deep with a reinforced leading edge providing the airflow needed to tackle hard mowing conditions.

CONSTANT BELT TENSION SYSTEM (CBT) ensures the belt tension is constant, minimising wear and heat while providing enhanced belt life with minimal adjustments necessary.

FLIP UP SIDE DISCHARGE CHUTE reduces damage to the surrounding environment.

FOOT OPERATED DECK LIFT SYSTEM provide effortless adjustments between 15 cutting positions in 6 mm increments with a vertical pin selection.

LARGE TYRES category leading large tyres proving superior traction and ride quality.

ROPS CAPABLE DESIGN frame supports a folding ROPS option for added protection to the operator.

POWERFUL ENGINE OPTIONS Kawasaki® V-Twin engine options provide the driving force behind this zero-turn.

PRODUCT NAME	ZT HD 44	ZT HD 48	ZT HD 52	ZT HD 60
MODEL #	991160	991162	991164	991166
ENGINE	Kawasaki® FR V-Twin	Kawasaki® FR V-Twin	Kawasaki® FR V-Twin	Kawasaki® FR V-Twin
HORSEPOWER	21.5 hp	23 hp	23 hp	24 hp
DISPLACEMENT	726 cc	726 cc	726 cc	726 cc
DRIVE SYSTEM	Hydro-Gear® ZT3100 Transaxles			
FUEL CAPACITY	18.9 L			
GROUND SPEED (APPROX. KPH) (FWD/REV)	12.9 km/h / 6.4 km/h			
STARTER	Electric			
DECK MATERIAL	10 ga. Steel			
DECK CONSTRUCTION	Fabricated			
NUMBER OF SPINDLES	3			
BLADE TIP SPEED (FPM)	18,000	18,000	17,500	18,000
SPINDLE MATERIAL	Forged Aluminum			
SPINDLE BEARINGS	Ball Bearing			
DECK ENGAGEMENT	Electric Ogura®			
DECK LIFT SYSTEM	Foot Operated			
CUTTING WIDTH	44 in	48 in	52 in	60 in
CUTTING HEIGHTS	38 mm - 127 mm			
CUTTING POSITIONS	15			
FRONT AXLE	Fixed			
WHEELS (FRONT)	13 x 6.5 in - 6 in Smooth			
WHEELS (REAR)	22 x 10 in - 12 in	22 x 10 in - 12 in	22 x 10.5 in - 12 in	22 x 12 in - 12 in
SEAT	High Back Comfort w/ Lever Adjust, Padded Arm Rests			
OUR METER	Standard			
WEIGHT	363 kg	373.5 kg	377.5 kg	387 kg
LENGTH	181.5 cm	181.5 cm	189 cm	189 cm
WIDTH (W/ CHUTE)	142 cm	160 cm	170 cm	190 cm
HEIGHT	119 cm			
WARRANTY (UNIT)	4 Year / 500 Hour			
ATTACHMENTS & ACCESSORIES	2 BAG POWERED BAGGER, BAGGER MOUNT KIT, MULCH KIT, OPERATOR CONTROLLED CHUTE BAFFLE, DISCHARGE COVER KIT, VACUUM BAFFLE KIT, LIGHT KIT, FLEX-TEND® SHOULDER SUPPORT SYSTEM, SEAT ISOLATOR KIT, SEAT SPRING KIT, FOLDING ROPS KIT, SUNSHADE, CHROME FRONT WHEEL COVERS, CHROME REAR WHEEL COVERS, TRAILER HITCH KIT			



ZT XL SERIES

Built for big jobs, the ZT XL has been redesigned with vibration isolators and a high-back seat to combine professional cut quality with all-day comfort. Out-manoeuvre any obstacle with more deck sizes to meet your demands.



FULLY WELDED TUBULAR FRAME this fully fabricated tubular frame is welded into a single piece, providing a strong, stable backbone you won't get from a competitive bolted, multi-sectional frame.

11-GAUGE FABRICATED DECK drop this 11-gauge steel deck and it won't let you down. The 114 mm deep design delivers adequate air flow to handle challenging mowing conditions delivering professional grade cut quality and durability.

SEATING COMFORT this plush high back seat with cut and sewn armrests ensures upgraded comfort for longer mowing sessions.

HYDRO-GEAR ZT-2800 TRANSMISSION The Hydro-Gear® ZT-2800 transmission provides increased torque, a smoother ride and longer life.

COMMERCIAL ENGINE OPTIONS Kawasaki® provides the same power, durability and dependability trusted by professional cutters every day. Meanwhile, the Kohler® 7000 SeriesT™ with Smart Choke™ technology is ready to run as soon as you turn the key.

TYRES roll right by the competition with 20" drive tyres and 11" x 6" front caster wheels – designed to provide better traction, control and handling.

PRODUCT NAME	ZT XL 42	ZT XL 52
MODEL #	915259	915263
ENGINE	Kohler® 7000 V-Twin with Smart-Choke™ and HD Filtration	Kawasaki® FR V-Twin
HORSEPOWER	24 hp	23 hp
DISPLACEMENT	725 cc	726 cc
DRIVE SYSTEM	Hydro-Gear® ZT-2800 Transaxles	
FUEL CAPACITY	11.36L	
GROUND SPEED (APPROX. KPH) (FWD/REV)	12 km/h / 4.8 km/h	
DECK MATERIAL	11 ga steel	
DECK CONSTRUCTION	Fabricated	
NUMBER OF SPINDLES	3	
BLADE TIP SPEED (FPM)	17,000	
SPINDLE BEARINGS	1" Sealed	
DECK ENGAGEMENT	Electric Warner®	
DECK LIFT SYSTEM	Foot Operated, Dial Selection	
CUTTING WIDTH	42 in	52 in
CUTTING HEIGHTS	38 mm - 114 mm	
CUTTING POSITIONS	13	
FRONT AXLE	Fixed	
WHEELS (FRONT)	11 in x 6 in - 5 in	
WHEELS (REAR)	20 in x 8 in - 10 in	20 in x 10 in - 10 in
HEADLIGHTS	Optional	
SEAT	High Back Comfort w/ Lever Adjust and Padded Arm Rests	
HOUR METER	Standard	
LENGTH	175 cm	
WIDTH W/ CHUTE	147 cm	173 cm
HEIGHT W/ ROPS EXT/DOWN	107 cm	
WARRANTY (UNIT)	4 Year / 400 Hour	
ATTACHMENTS & ACCESSORIES	2 BAG POWERED BAGGER, MULCH KIT, L.E.D. LIGHT KIT, FLEX-TEND® SHOULDER SUPPORT SYSTEM, CHROME FRONT WHEEL COVERS, CHROME REAR WHEEL COVERS	



ZT X SERIES

Redesigned for comfort and style, the ZT X combines zero-turn efficiency with legendary Gravely performance. Mow with professional-level precision and control.



FULLY WELDED TUBULAR FRAME unlike the competitive c-channel frames, this fully welded, steel tubular frame provides superior rigidity and strength.

CUT SELECTION we cut out the pins and levers to offer a simple and intuitive cutting selection solution. Press the pedal to raise the deck and turn the dial.

11-GAUGE FABRICATED DECK our 114 mm deep fabricated deck features an optimised airflow design to produce best in class cut quality and discharge performance.

DUAL ARM DECK LIFT the dual arm deck lift features a 4-point hanging system for deck stability and even cutting performance.

SEATING COMFORT A plush, high back seat with armrests ensures upgraded comfort for longer mowing sessions.

PRODUCT NAME	ZT X 42	ZT X 52
MODEL #	915255	915257
ENGINE	Kohler® 7000 Series V-Twin	Kawasaki® V-TWIN
HORSEPOWER	22 hp	23 hp
DISPLACEMENT	725 cc	726 cc
DRIVE SYSTEM	Hydro-Gear® EZT Transaxles	
FUEL CAPACITY	11.36L	
GROUND SPEED (APPROX. KPH) (FWD/REV)	11.3 km/h / 4.8 km/h	
DECK MATERIAL	11 ga steel	
DECK CONSTRUCTION	Fabricated	
NUMBER OF SPINDLES	3	
BLADE TIP SPEED (FPM)	17,000	
SPINDLE BEARINGS	1" Sealed	
DECK ENGAGEMENT	Electric Warner®	
DECK LIFT SYSTEM	Foot Operated, Dial Selection	
CUTTING WIDTH	42 in	52 in
CUTTING HEIGHTS	38 mm - 114 mm	
CUTTING POSITIONS	13	
FRONT AXLE	Fixed	
WHEELS (FRONT)	11 in x 6 in	
WHEELS (REAR)	20 in x 8 in	
SEAT	High Back Comfort w/ Arm Rests	
HOURLY METER	Standard	
WEIGHT	274.5 kg	288 kg
LENGTH	197 cm	
WIDTH	137.5 cm	161 cm
HEIGHT	104 cm	
WARRANTY (UNIT)	3 Year / 300 Hour	
ATTACHMENTS & ACCESSORIES	2 BAG POWERED BAGGER, MULCH KIT, L.E.D. LIGHT KIT, FLEX-TEND® SHOULDER SUPPORT SYSTEM, CHROME REAR WHEEL COVERS	



ZT SERIES

With 34 to 42 inch deck size options, no other model in its class measures up to the ZT. With size, power and performance you can tackle the largest jobs without skipping a beat. When there's work to be done, depend on a century of Gravely experience.



DECK LIFT the effortless and intuitive foot operated deck lift makes it easy to adjust between 7 cutting heights, from 38 mm to 114 mm.

SEATING COMFORT a high back seat, available on the 42" model, delivers a comfortable, cutting experience.

DECK the 12-gauge Xlerator™ stamped deck features a tunneled cutting area for maximum air flow to move grass up and out.

FLIP OUT CONTROLS the ZT features flip out controls to provide easy access to and from the operating position.

DECK SYSTEM the 4-point deck lift system provides superior deck stability that can be immediately felt once you are in the seat.

DESIGN the compact 34-inch deck option allows for enhanced manoeuvrability to easily move through a standard 36-inch gate.

PRODUCT NAME	ZT 34	ZT 42
MODEL #	915244	915246
ENGINE	Kohler® 6600 V-Twin	Kohler® 6600 V-Twin
HORSEPOWER	19 hp	19 hp
DISPLACEMENT	660 cc	660 cc
DRIVE SYSTEM	Hydro-Gear® EZT Transaxles	
FUEL CAPACITY	7.57 L	
GROUND SPEED (APPROX. KPH) (FWD/REV)	9.7 km/h / 4.8 km/h	
DECK MATERIAL	12 ga steel	
DECK CONSTRUCTION	Stamped	
NUMBER OF SPINDLES	2	3
BLADE TIP SPEED (FPM)	17,500	17,000
SPINDLE MATERIAL	Steel	
SPINDLE BEARINGS	Sealed	
DECK ENGAGEMENT	Electric Warner®	
DECK LIFT SYSTEM	Foot Operated	
CUTTING WIDTH	34 in	42 in
CUTTING HEIGHTS	38 mm - 114 mm	
CUTTING POSITIONS	7	
FRONT AXLE	Fixed	
WHEELS (FRONT)	11 in x 4-5 in	
WHEELS (REAR)	18 in x 6.5-8 in	18 in x 8.5-8 in
SEAT	Low Back	High Back Comfort
HOUR METER	N/A	
WEIGHT	193 kg	199.5 kg
LENGTH	162.5 cm	
WIDTH	107 cm	137 cm
HEIGHT	94 cm	109 cm
WARRANTY (UNIT)	3 Year Limited Residential	
ATTACHMENTS & ACCESSORIES	2 BAG NON-POWERED BAGGER, MULCH KIT, ARM REST KIT, FLEX-TEND® SHOULDER SUPPORT SYSTEM, CHROME REAR WHEEL COVERS, TRAILER HITCH KIT	



EDGE[®] SERIES



STEP UP YOUR MOWING GAME.

Experience the comfort, convenience and versatility of a zero-turn mower backed by the quality and performance you expect from an Ariens. The Edge's intuitive controls help you maneuver in, around and through smaller yards with a fast, clean cut. Get your perfectly-manicured lawn and get back to your busy day faster with Ariens' legendary zero-turn engineering in your garage.

MOWER DECK

Choose from a 34-inch stamped deck or a 42-inch fabricated deck.

DECK SYSTEM

A four-point deck lift system offers unmatched stability and consistent cutting.

COMFORT

The high back seat with natural airflow enhances operator comfort while keeping you cool.

INTUITIVE CONTROL

The Foot-operated deck lift offers quick and easy cutting height adjustment.

2 YEAR
OR
150 HOURS
WARRANTY

DESIGNATION	EDGE 34	EDGE 42
MODEL #	915243	915245
ENGINE	Kohler® 6000 Series™	Kohler® 6000 Series™
HORSEPOWER	19 hp	19 hp
DISPLACEMENT (CC)	660 cc	660 cc
DRIVE SYSTEM	Hydro-Gear® EZT Transaxles	Hydro-Gear® EZT Transaxles
FUEL CAPACITY	7.5L	
GROUND SPEED (APPROXIMATE MPH) (FWD/REV)	9.7 km/h / 4.8 km/h	
STARTER	Electric	Electric
CARB COMPLIANT	No	No
DECK MATERIAL	12 ga	11ga
DECK CONSTRUCTION	Stamped	Fabricated
NUMBER OF SPINDLES	2	2
BLADE TIP SPEED (FPM)	17,000	17,000
SPINDLE MATERIAL	Steel	Steel
SPINDLE SHAFT	Steel	Steel
SPINDLE BEARINGS	Sealed	Sealed
DECK DRIVE	Belt	Belt
DECK ENGAGEMENT	Electric Warner	Electric Warner
DECK LIFT SYSTEM	Foot Operated	Foot Operated
CUTTING WIDTH	34 in	42 in
CUTTING HEIGHTS	38 mm - 114 mm	
CUTTING POSITIONS	7	7
WHEELS FRONT AXLE	Fixed	Fixed
WHEELS (FRONT)	11 in x 4 in	11 in x 4 in
WHEELS (BACK)	18 in x 6.5 in - 8 in	20 in x 8 in - 8 in
SEAT	High Back w/ Seat Springs	High Back w/ Seat Springs
HOURLY METER	Standard	Standard
WEIGHT	210 kg	225 kg
LENGTH	173 cm	
WIDTH	114 cm	139 cm
HEIGHT	100 cm	103 cm
WARRANTY (MACHINE)	2 Year / 150 Hour	2 Year / 150 Hour
ATTACHMENTS & ACCESSORIES	Non-Powered Bagger Kit, Mulching Kit, Trailer Hitch Kit, Spreader, Cart, Aerator, Dethatcher, Sprayer	

Accelerate getting the tools you need to get the job done with affordable plans provided through our network of authorised resellers.

Visit your local dealer to learn more about Gravely's finance options.



VISIT US ONLINE AT GRAVELY.COM

Registered trademark and ™ trademark of AriensCo. Kohler®, Kawasaki®, Yamaha®, Subaru® and Hydro-Gear® are registered trademarks of their respective companies. The engine horsepower information is provided by the engine manufacturer to be used for comparison purposes only. Actual operating horsepower will be less. Visit www.gravelly.com for a complete listing of engine manufacturer power rating information. Product features and specifications subject to change without notice. Photos are a representation of the product; actual product may vary. © Copyright 2020 AriensCo. All rights reserved.



Proudly Distributed by

Masport

Masport Limited New Zealand

320 Ti Rakau Drive, East Tamaki, Auckland 2013

PO BOX 14-349, Panmure, Auckland 1741

Phone: 0800 MASPORT | Fax: 0508 570 570

Email: sales@masport.co.nz | Website: www.masport.co.nz

Masport Australia Pty Limited

27 Commercial Drive, Dandenong South, VIC 3175

PO BOX 533, Braeside, VIC 3195

Phone: 1300 366 225 | Fax: 1800 035 594

Email: sales@masport.com.au | Website: www.masport.com.au



@GravellyAUNZ



@Gravelly_AUNZ